

WHAT'S YOUR WAVELENGTH?

WE'VE GOT THAT!

ClearCut²⁹



Cut Weld Fabricate

Copper Silver Gold Brass Nickel Titanium Stainless Steel

DESCRIPTION

The ClearCut Laser Engine is engineered for the demanding needs of copper, silver, and gold cutting, welding, and fabrication. The laser's unique wavelength of 455 nm +/- 5 nm is optimized for maximum absorption. Depending on material, the ClearCut is up to 20 times faster and more efficient compared to traditional cutting lasers. The ClearCut provides better wall-plug efficiency and lower maintenance costs. The ClearCut Laser Engine offers easy integration thanks to its air-cooled architecture. No external water chiller or liquid cooling is required.

Perfectly engineered for automotive, aerospace, and research applications, the ClearCut Laser Engine will reduce your fabrication times, costs, and mistakes. The 125 μ m to 400 μ m fiber output gives you precise control over the laser, making it ideal for your most demanding applications.

Available in power outputs from 25 Watts to 75 Watts, contact us today for a quote that fits your custom requirements. Don't buy off the shelf products when Power Technology, can configure the exact ClearCut Laser Engine for your application. Contact us today!

APPLICATIONS

- Welding
- Cutting
- Fabrication
- Battery Manufacturing
- Entertainment
- Medical
- Optical Pumping

FEATURES & BENEFITS

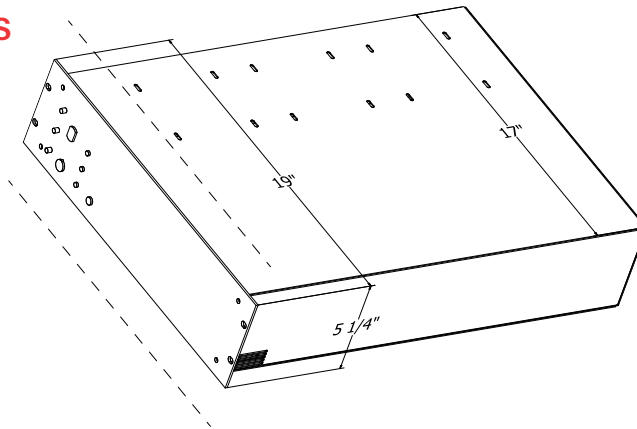
- Multiple Power Options
- Perfect Wavelength for Maximum Absorption
- Air Cooled

NEW DESIGN

SPECIFICATIONS

SPECIFICATIONS	ClearCut25	ClearCut50	ClearCut75	ClearCut125
Wavelength (nm)	455 +/- 5	455 +/- 5	455 +/- 5	455 +/- 5
Modulation (kHz)	0-100	0-100	0-100	0-100
Output Power (W)	25	50	62	125
Delivery Fiber Core Diameter (µm)	125	400	400	200
Numeric Aperature	0.46	0.22	0.22	.022
Fiber Length (m)	5	5	5	5
Fiber Connector (SMA)	905	905	905	905
Supply Current (A)	~6	~6	~6	~6
Supply Voltage (VAC)	110/240	110/240	110/240	110/240
Operating Temperature (C)	10-30	10-30	10-30	10-30
Rack Mount Units (Standard 19")	3	3	3	3
Size (Inches Depth)	24	24	24	24

MECHANICAL DRAWINGS



SAFETY INFORMATION

LASER RADIATION
AVOID EYE OR SKIN EXPOSURE TO
DIRECT OR SCATTERED RADIATION
CLASS 4 LASER PRODUCT

COMPLIANT & REGISTERED



J-STD-001 | 7711/7721 | A-610

